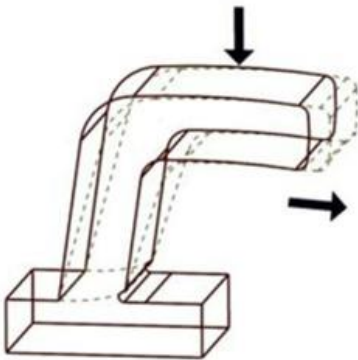


Webtech
SOLUTIONS PARTNER

EcoStretchRoll

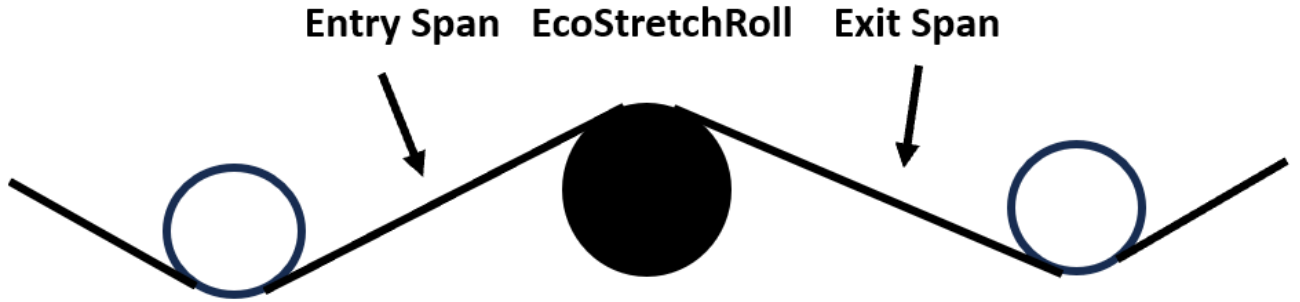


-Precision rubber rings consisting of several individual expansion elements which work independently from one another.

-Each individual expansion element creates an active spreading force of 20-30 grams. This spreading force spreads the contact surface to the outside thus creating the spreading effect.

-Due to the very low force of 0.5 grams per single expansion element, the required force required to engage each element is minimal.

Web Tech Assembly Solutions, LLC
1875 E. Main Street
Duncan, SC 29334

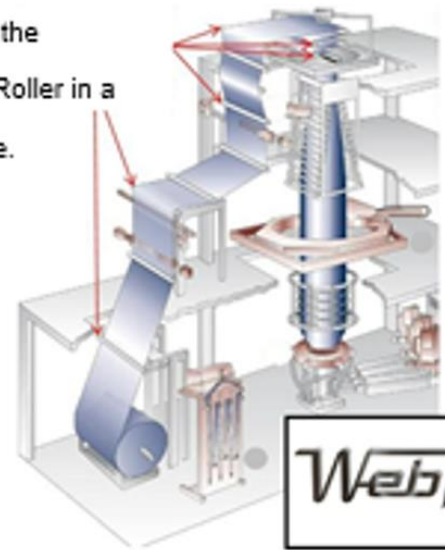


For best results, Roller requires 50% of web width as entry span

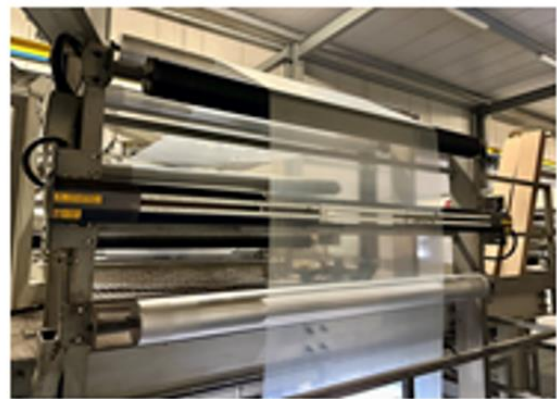
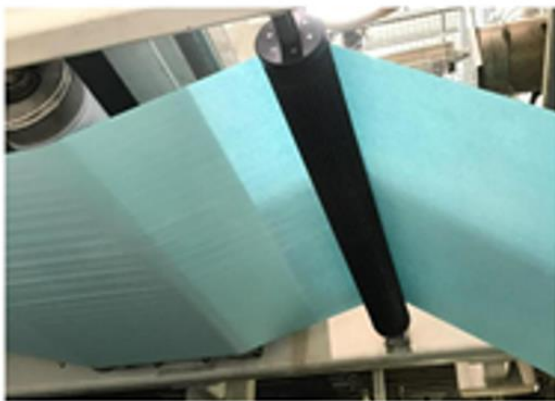
wrap angle 10 to 180°

Exit Span: 10-150% of web width

Locations for the EcoStretch Roller in a blown film line.



Examples of Applications



To Receive quote: Please fill out below and send to sales@webtechteam.com

EcoStretchRoll

**Wrinkle Removing Roller
 RFQ Information**

Date _____ Project Reference _____

Company Name _____

Contact _____

Email _____

Phone _____

Street _____

City, State, Zip _____

Web width Max. _____ inch mm

Web width Min _____ inch mm

Max. Tension _____ LBS Nm

Max. Speed _____ FPM M/min

Wrap Angle _____

Slitting Application YES NO

Overall length _____ inch mm

Body length _____ inch mm "Body length is (web + 200mm)"

Prefer OD, (X in box to left of option)

<input type="checkbox"/>	60 mm	<input type="checkbox"/>	110 mm	<input type="checkbox"/>	130 mm	<input type="checkbox"/>	150 mm
--------------------------	-------	--------------------------	--------	--------------------------	--------	--------------------------	--------

Journal Diameter 15 mm 30 mm 35 mm 35 mm

Threading Required? YES NO Threading size requested _____

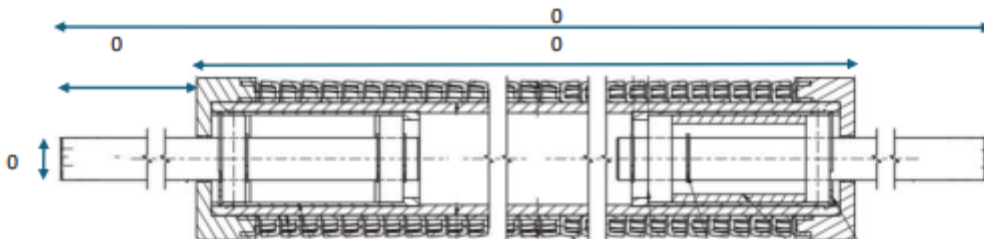
Web material _____

Ambient Temp. _____

Use of Chemicals or washdown? _____

For best results, Roller requires 50% of web width as entry span

Notes _____



ESR-ST (Sensitive Treatment)
 spreads all webs $>4 \mu\text{m}$ or $>8\text{gr}/\text{m}^2$



ESR-ST 40/60:
 outer diameter: 60 mm
 speed: up to 300 m/min



ESR-ST 80/110:
 outer diameter: 110 mm
 speed: up to 700 m/min



ESR-ST 100/130:
 outer diameter: 130 mm
 speed: up to 800 m/min



ESR-ST 120/150:
 outer diameter: 150 mm
 speed: up to 1000 m/min

Advantages of the ESR spreader rollers



Principle of operation
 1.400-2.800 independently operating individual spreader elements per meter roll length.



Contact surface
 Slightly curved, large contact surfaces ensure **marking-free** guidance without relative movement.



Wrap angle
 Full functionality at **8-180 degrees** in both directions.



Web tension
 Between **10 und 750 N/mtr.** roll length.



Web thickness
 Spreads any material thickness **$>4 \mu\text{m}$ and $>8\text{gr}/\text{m}^2$.**



Multiple cutting
 Applicable for mutltiple cuttings.



Web speed
 The EcoStretchRoll can be used up to **1.000 m/min.** At the same time, it has vibration-damping effect and runs absolutely quietly.



Variants
 The EcoStretchRoll is available in four diameters (60, 110, 130, 150 mm) and can be produced to customer specifications up to a maximum of 7.000 mm.



Material properties
 TPE: wear-free, temperatur- and ozon-resitant and FDA-approval.



Roll body
 Smooth-running roller from DRECKSHAGE. Lightweight aluminium roll tubes with special geometry for high bending stiffness. Fast response due to low start-up weights a low inertia.



Assembly
 Each EcoStretchRoll is produced according to customer specifications and delivered ready for installation. It is ready for immediate use without external drive or adjustment.

Dan Sedlacek
 President
 402-613-7639
 Dan@webtechteam.com

Steve Larrivee
 Vice President
 207-572-3241
 Steve@webtechteam.com

Jeff Cross
 VP Sales
 314-384-3667
 Jeff@webtechteam.com

Brad Westrick
 Western Regional Sales Manager
 503-544-6035
 Brad@webtechteam.com

Tim Roddy
 VP Business Development
 ESR
 469-980-6150